

Hard & Ware



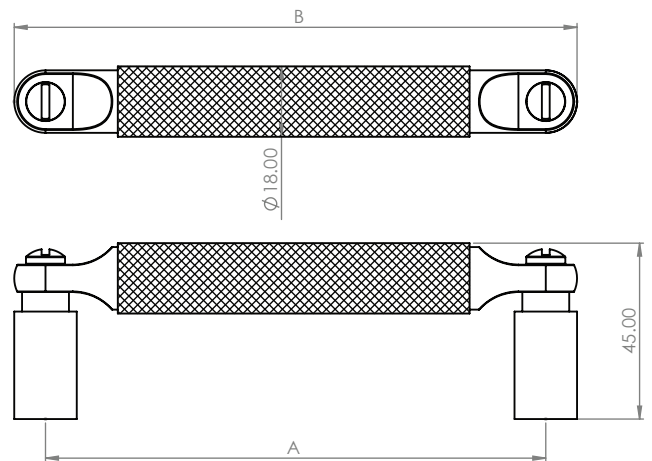
CPH10

Specification:
Solid brass Cabinet Pull Handle

Finish:
All Standard Finishes available

Included:
X1 Pull Handle
& Fixings

Care Instructions:
Clean wipe with damp cloth. Avoid using any chemicals.
Please note all living finishes are prone to aging & ware



CODE	A	B
CPH10-96	96MM	112MM
CPH10-128	128MM	144MM
CPH10-224	224MM	240MM
CPH10-304	304MM	320MM
CPH10-504	504MM	520MM
CPH10-604	604MM	620MM